



SMART
PANEL™ 

P517

Tempered glass and stainless steel Smart Panel™

A Smart Panel with all the features and functions. A perfect choice for a splash of luxury in your shower.

Ideal model to incorporate the unique look of a stainless steel shower on your current bathroom.

This Smart Panel can be used in an existing bathroom, or in new construction. Uniform Plumbing Code (©UPC) listed model. Tomorrow's shower standard in the residence of today.



Features and Benefits:

Multi-function shower

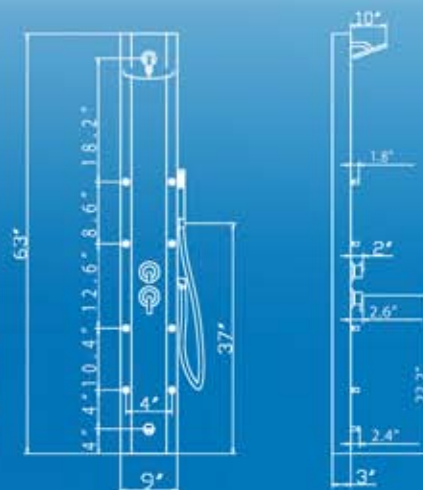
- Overhead shower (Brass)
- Handheld shower (Brass)
- Eight adjustable body sprayers (Brass)
- Brass tub fill (Can be used as a temperature check)
- Pressure balance valve for scald protection



63" x 9", 33 lbs.
 Standard 1/2" Water Hookup
 Mounting hardware included
 Min/Max Water Pressure 40/80 psi
 Max. water consumption 2.5 gpm each orifice



Colored tempered glass
 Color options shown above
 Black, Mist Green, White, Teak
 18/10 Stainless steel
 Brushed stainless finish



www.smartshowers.net 877.548.7234